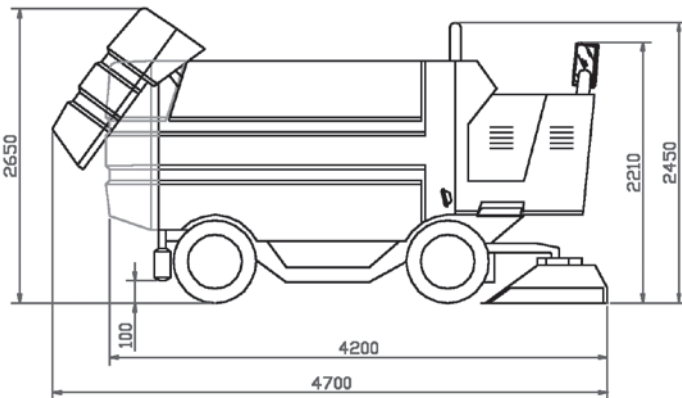




**RELCO B.V.**  
 Rechte Tocht 9F  
 1507 BZ ZAANDAM  
 Tel. +31 (0)75 6 124 140  
 Fax. +31 (0)75 6 124 150  
 E-mail: info@relco.nl



**Recommended area of application:**  
**Ice surfaces of up to 1,800 m<sup>2</sup>**

- user-friendly control
- low fuel consumption
- simple maintenance

The following accessory devices can be attached: ice harrow

Gasoline version also available with additional propane or methane gas installation!

Technical Data	Gasoline	Diesel	Electric
engine type	DSG 423 / MSG 425	D 703 TE3	96 V AC – electric motor
power rating	60 kW - 2600 r.p.m.	41 kW - 2300 r.p.m.	23,5 kW
torque	200 Nm - 2500 r.p.m.	150 Nm - 1400 r.p.m.	
battery standard			96 V - 620 Ah (EPzS)
battery charger standard			96 V - 90 A / 400 V
weight	2950 kg	3000 kg	4850 kg
water tank	900 liters	900 liters	950 liters
snow tank	3,4 m <sup>3</sup>	3,4 m <sup>3</sup>	3,4 m <sup>3</sup>
consumption	approx. 7 liters/h	approx. 5 liters/h	approx. 25 - 45 Ah per ice cleaning
turning radius	4500 mm	4500 mm	4500 mm
blade width	2070 mm	2070 mm	2070 mm
dimensions (lxwxh)	4200 x 2170 x 2450 mm	4200 x 2170 x 2450 mm	4200 x 2170 x 2210 mm